

TROUBLESHOOTING:

OPTONICA

USER MANUAL - LED FAN CEILING

PLEASE CHECK THE FOLLOWING BEFORE LODGING A SERVICE REPORT

SKU: 19108, 19109, 19110

PROBLEM	REASON	SOLUTION
Fan not moving	1)Main cables not connected. 2)Check the line wires.	1)Check mains &sub circuit breakers or fuse. 2)Check the line wires connections to thefan & switch housing
Fan noisy	1)Housing screw loose. 2)Wire nut connections rattles against each other. 3)Canopy touches the ceiling.	1)Tighten all screws. 2)Separate &store neatly all the wire nut connections. 3)Check &ensure the canopy is not touching or too close to the ceiling.
Remote control not working	1)Remote & receiver code different. 2)Battery not installed. 3)Weak Battery	1)Check that the codes are exactly the same. 2)Install the remote control battery. 3)Change a new battery.



Attention:

This appliance is not intended for use by persons (including Children) with reduced physical, sensory or mental capabilities or lack of experience and knowledge unless they have been given supervision or instruction concerning use of the appliance by a person responsible for their safety. Children should be supervised to ensure that they do not play with the appliance.

CONTENTS:

1. Safety Precaution _____	Page2
2. Fan Structure Drawing _____	Page3
3. Installation of Hanging Bracket _____	Page4
4. Installation of Downrod / Hanger Ball _____	Page5
5. Hanging of Ceiling Fan _____	Page5
6. Wiring of Ceiling Fan _____	Page6
7. Installation of Canopy _____	Page7
8. Installation of Fan Blades _____	Page8
9. Installation of light kits _____	Page9
10. Maintenance Tips _____	Page10
11. Troubleshooting _____	Page11

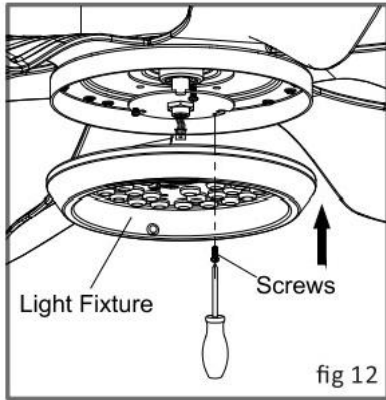
MAINTENANCE TIPS:

1. Because of the fan's natural movement, some connections may be loose. Check the support connections, brackets and blades attachments 2 times a year. Make sure they are all secured (It is not necessary to dismantle the entire fan from ceiling).
2. Clean your fan periodically to help maintain its appearance over the years. Do not use water when cleaning, use only a soft brush or lint-free cloth to avoid scratching the finish. The plating is coated with a lacquer to minimize the ratio of discoloration or tarnishing which would damage the motor or the wood or possibly cause an electric shock.
3. You can apply a light coat of furniture varnishing to the wood for additional protection and enhance its beauty. Surface scratched mark can be touch-up with a light coat of shoe polish.
4. There is no need to oil your fan. The motor is created with lubricated sealed ball bearings.
5. Users are advised to contact the fan supplier to conduct regular examination of the fan suspension system at least once in every two years.

WARNING

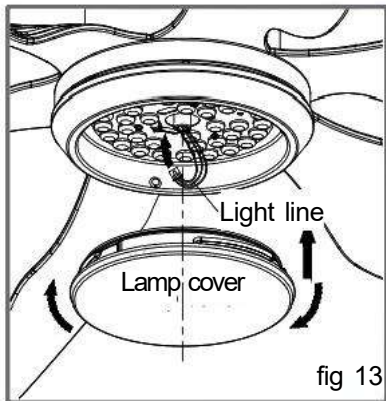
MAKE SURE THE POWER IS SWITCHED OFF AT THE ELECTRICAL PANEL BOX BEFORE YOU ATTEMPT TO MAKE ANY REPAIRS (REFER TO THIS SECTION) OR INSTALL THE DEVICE.

INSTALLATION OF LIGHTKITS:



1) Remove one screw from the motor round piece, unscrew the other two screws out by 3-4mm. (fig 12)

2) Attach the light kit to the fan, fix the first screw back to the hole and tighten all the three screws firmly. (fig 12)



3) Attach the lamp cover to the light kit and twist clockwise until its secured tightly. (fig 13)

SAFETY PRECAUTION:

IMPORTANT: PLEASE READ BEFORE INSTALLATION

1. The installation work must be carried out by a qualified wiring installer.
2. Turn off the Electrical Main Switch at the circuit breaker fuse box.
3. Using power supply 220-240V~/50-60Hz.
4. The ceiling fan must be mounted so that the blades are more than 2.3 meters above the floor.
5. Do not operate the reverse switch when the fan is still in motion mode. Wait till it's stop completely before switching to reverse mode.
6. Do not insert any objects in the path of the blades.
7. When all electrical connections are done, store all wires neatly.
8. Make sure all screws and connections are tightly screwed and secured.
9. The supply wires live and neutral must be connected to a double pole switch having a contact of at least 3mm in all poles.

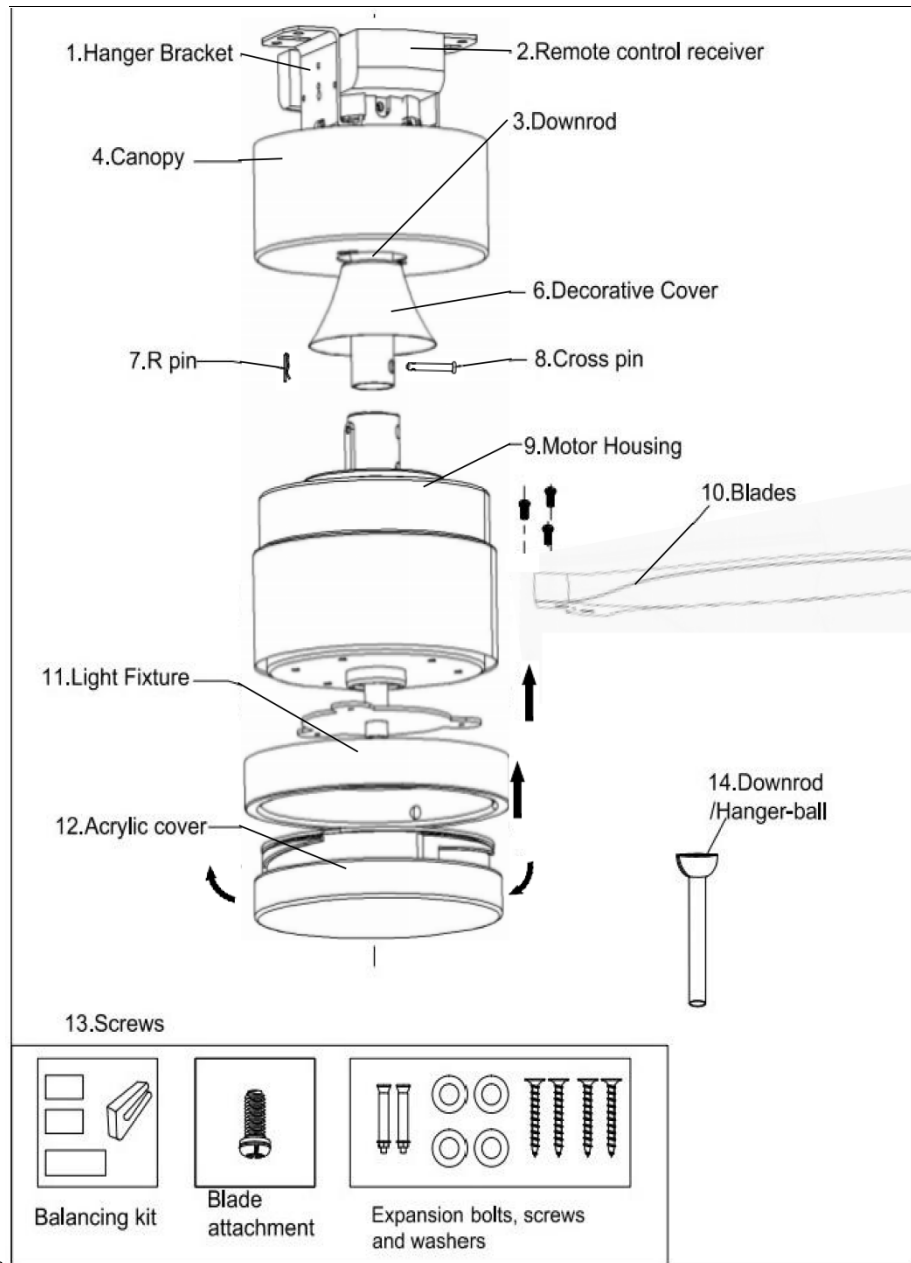
WARNING

TO REDUCE THE RISK OF PERSONAL INJURY, DO NOT BEND THE BLADES BRACKETS DURING ASSEMBLY OR AFTER INSTALLATION.

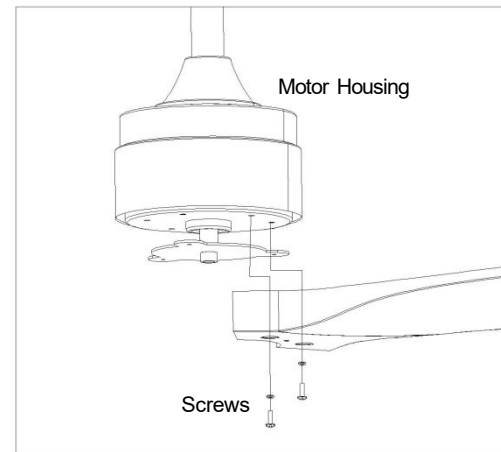
DO NOT INSERT ANY OBJECTS IN THE PATH OF THE BLADES.

TO REDUCE THE RISK OF SHOCK, THIS FAN MUST BE INSTALLED WITH AN ISOLATION WALL CONTROL/SWITCH.

FAN STRUCTURE DRAWING:



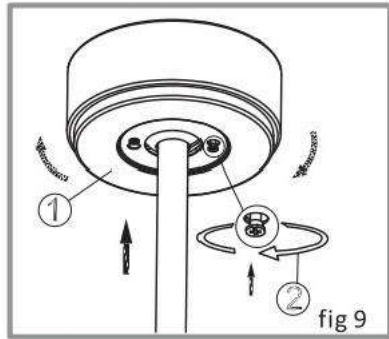
INSTALLATION OF FAN BLADES:



1)Attach the blade to the motor,and tighten the two screws firmly. (fig 11)

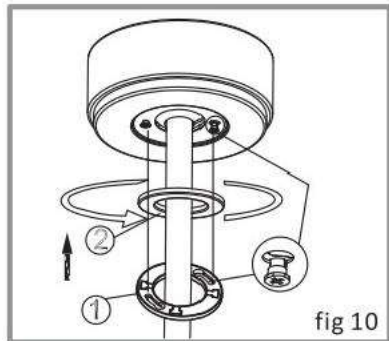
2)Repeat the steps 1 to install all the blades and tighten all the screws six

INSTALLATION OF CANOPY:



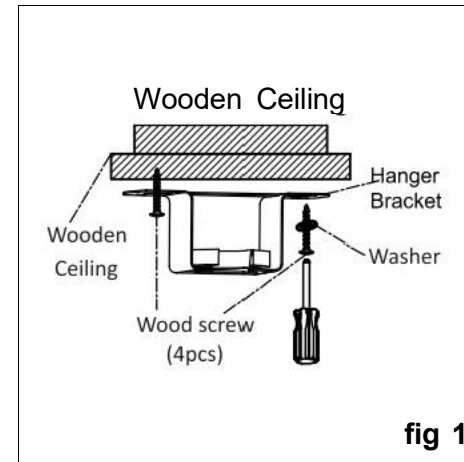
1)After done up the wiring,attach the canopy to the hanger bracket by pushing up and twist to locate screws in the two keyholes.

2)Tighten the two screws firmly. The two screws will be protruded with some allowance to receive the canopy cover. (fig9)



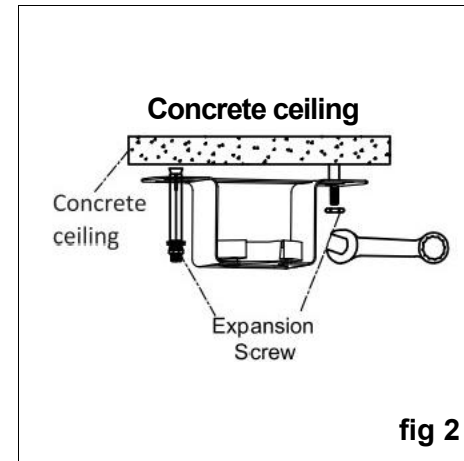
3)Move the canopy cover towards the canopy and attached to the screws and twist anticlockwise until its installed tightly.(fig 10)

INSTALLATION OF HANGING BRACKET:



1.Wooden Ceiling:

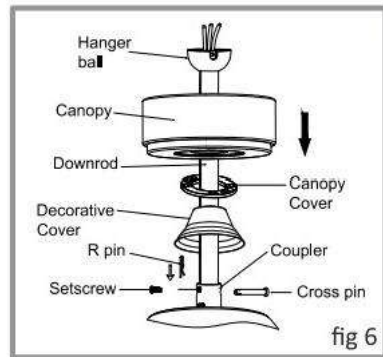
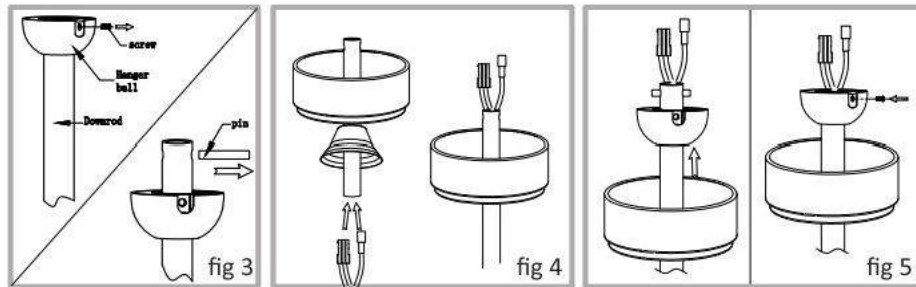
1)Use four Wooden screws to install the hanger bracket firmly.(fig 1)



2.Concrete ceiling

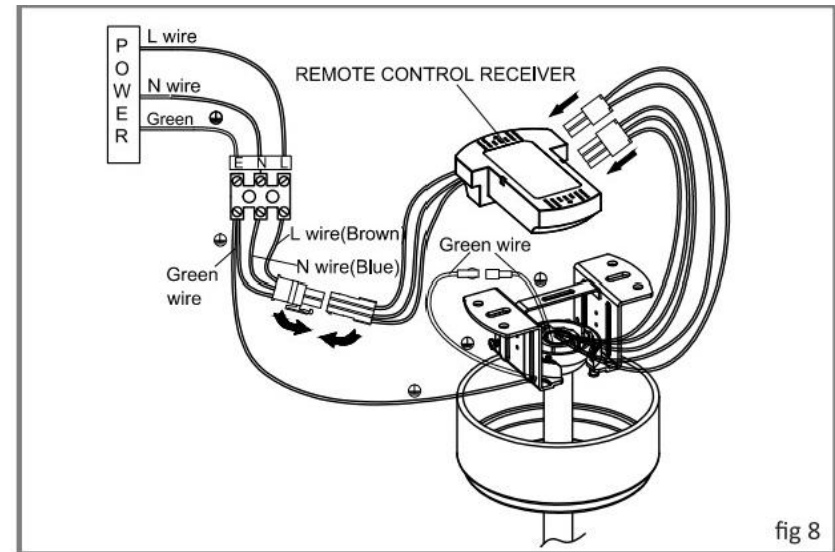
1)Use two Expansion screws to install the hanger bracket firmly.(fig2)

INSTALLATION OF DOWNROD/HANGER BALL:



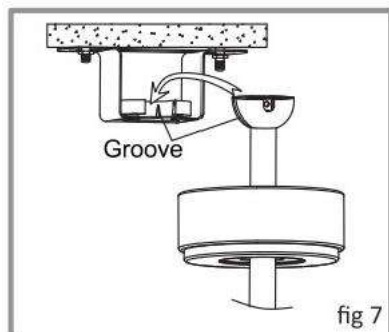
1. Remove the screw and bolt from the hanger ball as fig 3; Remove the "R" pin and cross pin from the downrod.
2. Put the canopy and the decorative cover into the downrod, then thread the wire through the downrod.
3. Install back the screws and bolt to the hanger ball, ensure to fasten the screws. Insert the downrod into the connector, loosen the
4. two setscrews in the downrod support. Install back the cross pin and secured with the "R" pin. Fasten back the two setscrews.
5. The "R" pin must be properly installed to prevent the cross pin from working loose.

WIRING OF EILING FAN:



- 1) Total six colors of wires connected from the top of the motor:
 - *Blue-neutral wire for lightkit
 - *Black-live wire for lightkit
 - *Red(L1), Brown(L2), Orange(L3)-live wire for fan
 - *Green-ground wire
- 2) Connect the bracket single male end (yellow & green wire) to the motor single female end (yellow & green wire).

HANGING OF CEILING FAN:



- 1) Carefully lift the fan and assembly into hanger bracket which is attached to the outlet box.

Ensure the rod ball's groove is lined up with tab on the hanger bracket. (fig 7)

- 3) Connect the motor 3 male end and 2 male end to the remote control.
- 4) Connect the remote control input 4 female end to the bracket output 4 male end.
- 5) Connect the fan wire to the AC power wire via the terminal connector:

Brown to Live wire, Blue to Neutral wire, Green/Yellow to Ground wire.

NOTE: ALL THE MALE END AND FEMALE END MUST BE CONNECTED WELL TO ENSURE THE MOTOR AND REMOTE CONTROL WORK NORMALLY.