

# OPTONICA

## USER MANUAL

SKU: 19031-19073

PLEASE COMPLY WITH ALL TECHNICAL SPECIFICATIONS INDICATED ON THE PACKAGING.

### IMPORTANT

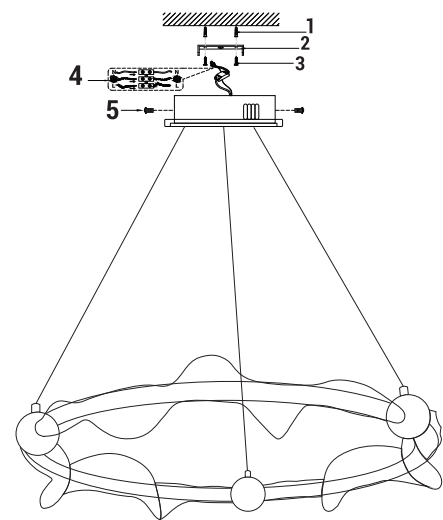
These instructions must be read carefully before installation and use.  
This document is part of the product and must be safely kept by the user.

### PRODUCT INSTALLATION

1. Align the pendant lamp holder with the wall plugs.
2. Drill the installation points and insert the wall plugs into the ceiling.
3. Secure the holder with screws.
4. Connect the wires to the electrical network.
5. Install the cover, aligning it with the pendant lamp holder, and secure it with screws.

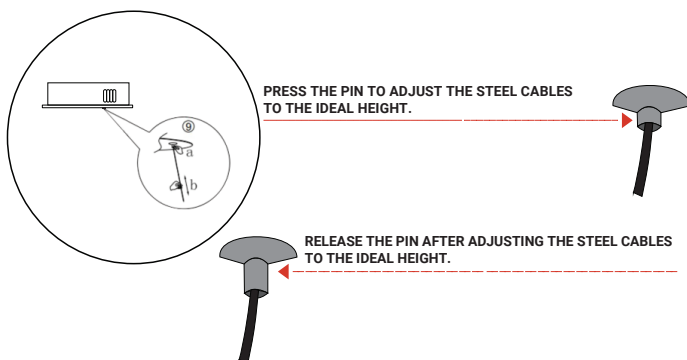
### NOTE:

1. Before installation, turn off the electrical network.
2. Never cut the lamp cables to adjust the length, as this will void the warranty.
3. The manufacturer's responsibility is guaranteed only if the applicable national standards, as well as the installation instructions contained in this manual, are followed.
4. For cleaning, we recommend disconnecting the power. Always clean with a soft cloth and products with a neutral pH, without alcohol and solvents.



\*The icon is illustrative\*

### CAUTION



### PROHIBITED

- Cutting the power cable is prohibited
- Cutting the steel cable is prohibited

### GENERAL SAFETY REQUIREMENTS

The electrical installation must be tested periodically by a qualified electrician at least once every 10 years. For offices and commercial premises, the wiring should be inspected at least once every 5 years.