

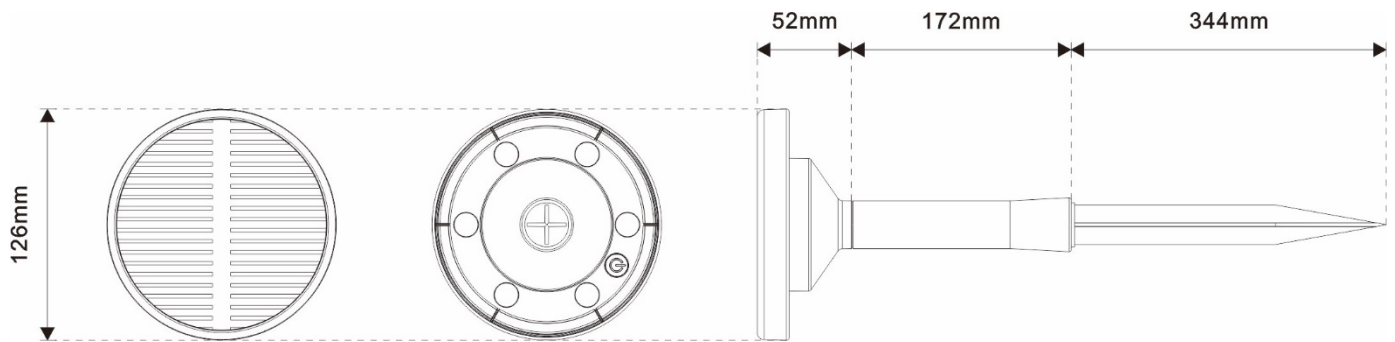
# OPTONICA

## Instruction Manual

### SOLAR LAWN LIGHT



## Product structure



Lamp Size(mm)	Φ126*51.8
SKU	9357,9358,9359

## Product parameter

Item	Product parameter	
	9357, 9358	9359-RGB
Solar panels	Polysilicon 5.0V/1W, Φ115*2mm	
Light control	Turn off the lights during the day to charge, turn on the lights to discharge at night	

## Product Control Mode

Touch the switch to control the induction mode, switch in a loop, after the mode has been selected, there is no need to switch again.

SKU: 9357,9358,:

- 1) Press the button to enter 6500K mode: when the button is pressed, the lamp body is on for 2S. The light is automatically turned on when it is dark, and the light is turned off during the day to charge.
- 2) Press again to enter 4400K mode: when the button is pressed, the lamp body will be on for 2S. The light is automatically turned on when it is dark, and the light is turned off during the day to charge.

4) Press again to enter the off mode: the light can be charged but the light does not turn on in the dark

#### SKU 9359-RGB:

1) Press again to enter RGB mode: when the button is pressed, the lamp body will be on for 2S. The light is automatically turned on when it is dark, and the light is turned off during the day to charge.

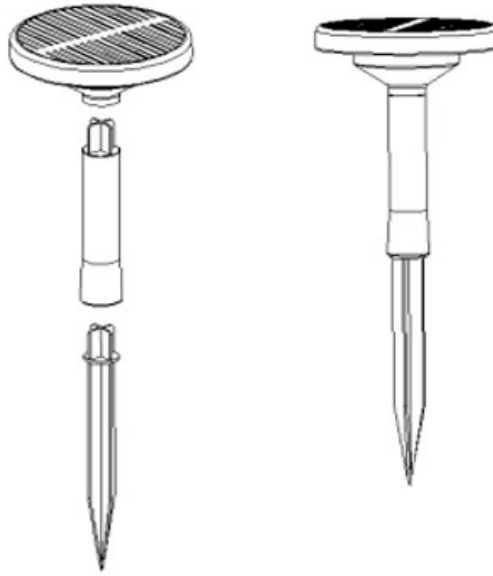
2) Press again to enter the off mode: the light can be charged but the light does not turn on in the dark

### Products Instructions

- 1) This product is solar photovoltaic lighting, green environmental protection, low voltage safety
- 2) Widely used in courtyards, lawns, gardens and other places
- 3) Please place the lamp directly in the sun to charge for at least 6 hours before use
- 4) Automatically charge during the day, automatically start and light up at night
- 5) Easy to install, no wiring, no power connection and complicated installation process
- 6) When installing, please install the lamp in a place with strong sunlight and pay attention to the installation angle to ensure that the solar photovoltaic panel has enough sunlight to charge the battery
- 7) The charging effect of solar photovoltaic panels depends on sunlight exposure, lighting time and weather conditions. The stronger the sunshine, the faster the solar photovoltaic panels are charged. In rainy or cloudy days, the charging effect will be weakened, and the lighting time will be shortened
- 8) Internal charging overvoltage protection and low voltage discharge protection.

## Installation Instructions

- 1) Insert the ground plastic tube into the bracket tube
- 2) Insert the lamp to the position that needs to be illuminated
- 3) Press the switch to select the gear



## Important Notice

- Please keep the installation tools away from children
- Contains batteries, batteries are recyclable, please do not throw them away
- Contains batteries, the product is strictly prohibited to be placed on fire, it may explode.
- Please do not connect to 110-220V alternating current to avoid damage to the lamp body
- Please install on a flat and stable surface, and fix the photovoltaic panel and the lamp body to prevent wind or other reasons from hurting people
- In order not to affect the use effect, clean up the dust or debris on the surface on the solar photovoltaic panel every 3-4 months
- In autumn, winter, continuous cloudy or rainy days, the charging effect will be weakened
- and the lighting time will be shortened, which is normal
- Avoid installing lamps near air conditioners, heating objects, or high-voltage power grid systems.