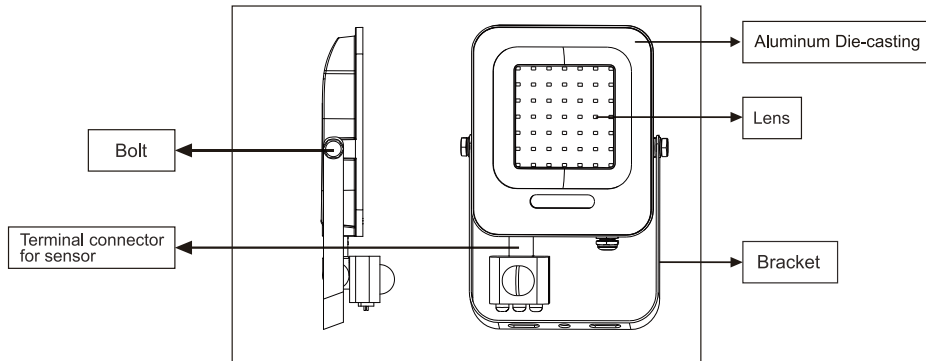


OPTONICA

Outdoor LED Floodlights

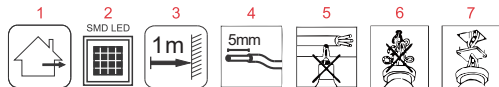
Please take time to read this leaflet carefully and retain it for future reference.

Diagram:



Specification:

Voltage	AC 220-240V ~ 50/60Hz			
Power factor	>0.9			
Wattage	10W	20W	30W	50W
Lumen	900Lm	1800Lm	2700Lm	4500Lm
Lamp type	LED 2835			
CRI	>80			
Material	Aluminium Die-casting			
Beam angle	90°			
Products size(mm)	97x169x54	121x190x54	154x228x55	182x263x57
Color Temp	2700K / 4500K / 6000K			
Work Temp	-20°C / +40°C			
Protection	IP65			
Housing color	Black / White			



LEGEND:

1. indoor and outdoor use
2. type of the LED package
3. minimum distance from the other objects
4. remove insulation as shown on the picture
5. be careful when installing, do not drill where are the power lines
6. attention, do not cross the wires
7. Set the lid first, and install on a junction box



Safety Information

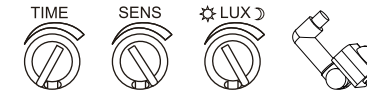
- Installation must be carried out accordance with national building and wiring regulations. If you are in any doubt about installing this product, please consult a qualified electrician.
- The LED module light source in this luminaire shall only be replaced by replaced by the manufacturer, service agent or a similar qualified person.
- Dangerous voltage may be accessible with the cover removed.
- This product is suitable for connection to a 220-240Vac 50/60Hz supply.
- This is a class I product requiring an Earth connection and is IP65 rated for outdoor use.

Sensor Specification:

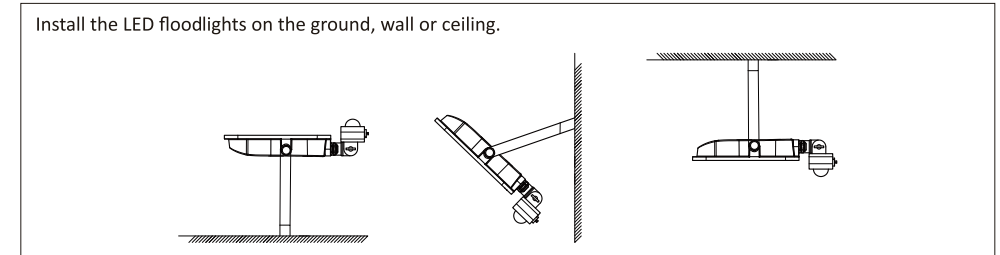
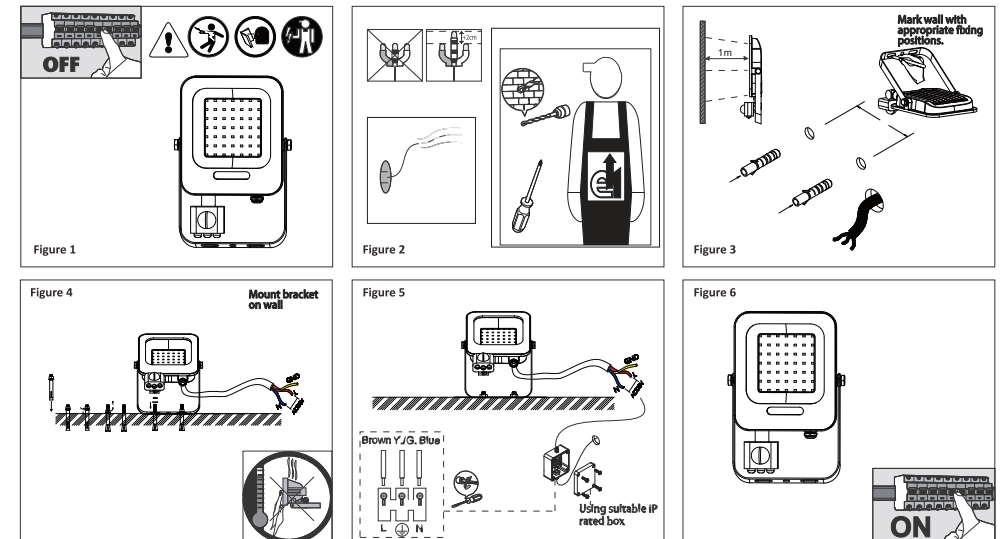
Power Source: 220-240V/AC
 Power Frequency: 50Hz
 Ambient Light: <10-2000LUX (adjustable)
 Time-Delay: min: 10sec±3sec
 max: 7min±2min
 Rated Load: 100W (led lamp)

Detection Range: 90°
 Working Temperature: -20~+40 C
 Working Humidity: < 3%RH
 Installation Height: 1.8m~2.5m
 Detection Motion Speed: 0.6~1.5m/s
 Detection Distance: 2-8m (<24 C)

Turning the SENS dial anticlockwise will decrease the detection range (2m-10m).
 Turning the TIME dial anticlockwise will decrease the hold time (10 seconds-7minutes).
 Turning the LUX dial anticlockwise will restrict activation to lower light conditions(3-2000lux).



Installation:



This product should be disposed of responsibly at the end of its life. Please recycle where facilities exist. Check with your Local Authority or retailer for recycling advice (Waste Electrical and Electronic Equipment Directive)