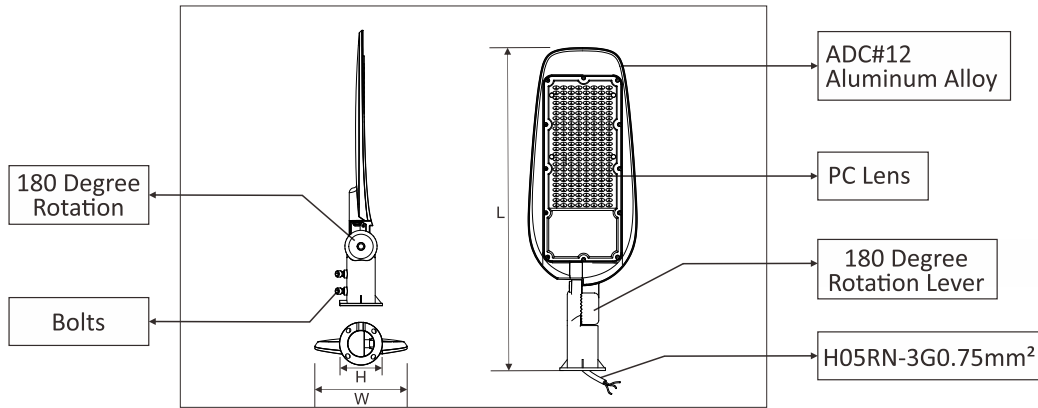


# OPTONICA Outdoor LED STREET light

Diagram:



## Important Safety Information

- Do not wire this lantern into the lighting circuit - use a switched fuse spur.
- Before installation and servicing, disconnect the electrical supply at the mains.
- Carefully observe all instructions or warnings that are labelled on, or supplied with, your product.
- This product is suitable for outdoor use. If in any doubt, consult a qualified electrician.

## Fixing instructions

- Do not wire this lantern into the lighting circuit - use a switched fuse spur.
- This fitting must be earthed. contact a qualified electrician to install a suitable earth facility.
- Ensure the electricity is turned off at the mains before installing or maintaining any electrical fitting.
- Please note: For new installations, check for any electrical cables or pipe work (gas/water) in the vicinity of the intended mounting point for this product, before proceeding with the installation.

## IMPORTANT WARNING:

Please read the instructions carefully before installation and preserve it well. Recommend the lamp must be installed and assembled by qualified electrician. Before installation, please cut off the main power. Turn off the circuit. Do not turn the lamp on before the end of installation. Please use proper wire for connection. The length of output leads should be typically 0.5m-2m in order to keep radio interference minimum.

Installation:

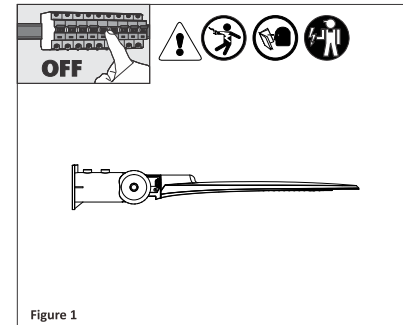


Figure 1

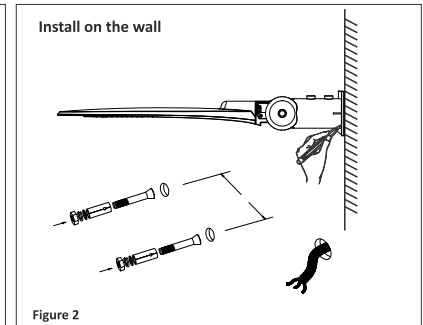


Figure 2

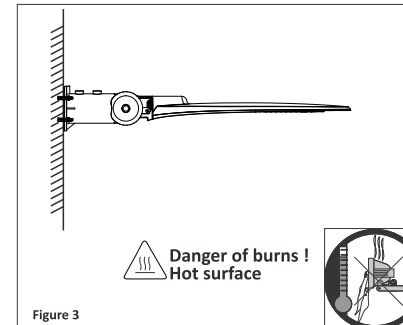


Figure 3

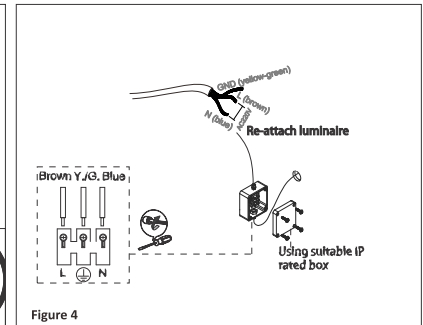


Figure 4

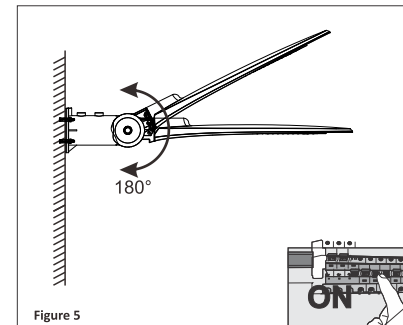


Figure 5

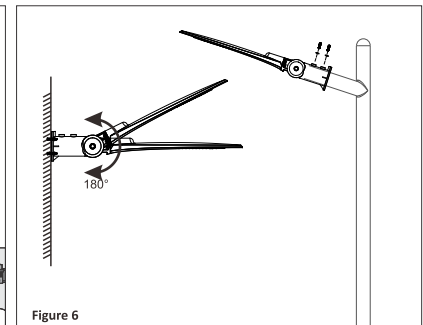


Figure 6

Note:



This product should be disposed of responsibly at the end of its life. Please recycle where facilities exist. Check with your Local Authority or retailer for recycling advice. (Waste Electrical and Electronic Equipment Directive)