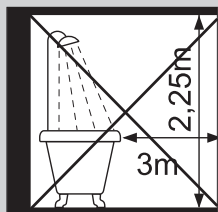


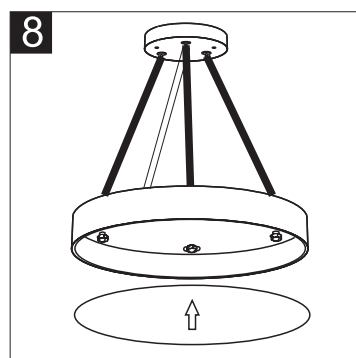
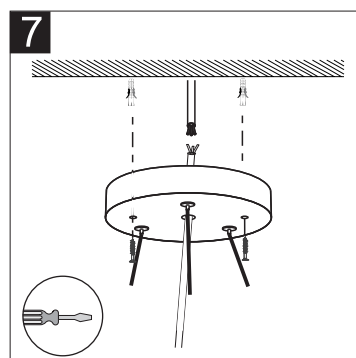
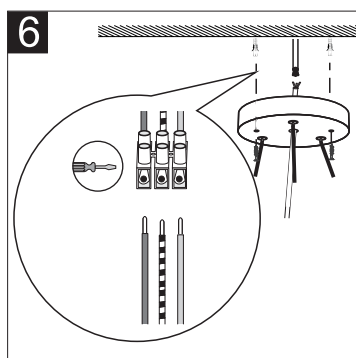
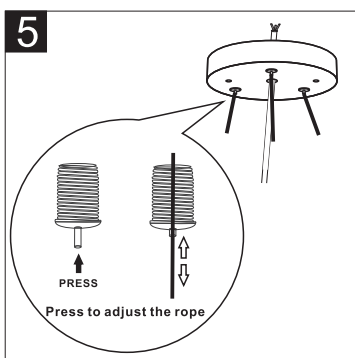
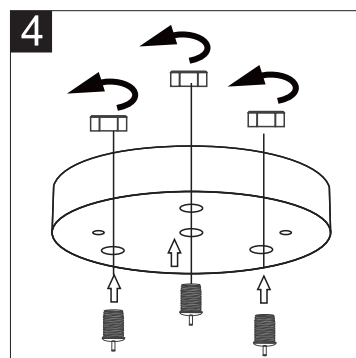
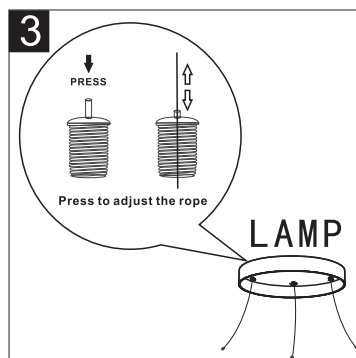
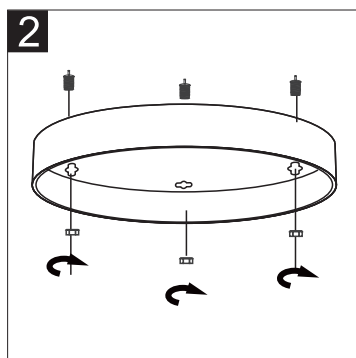
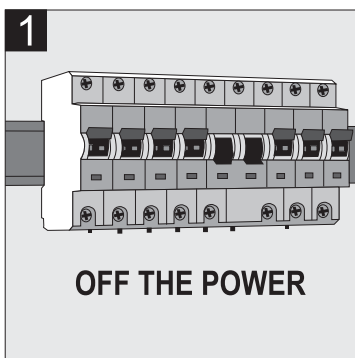
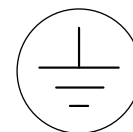
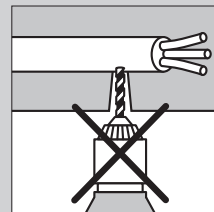
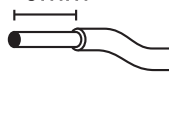
# OPTONICA

## Installation Manual

IP20



6mm



## ! IMPORTANT SAFETY INSTRUCTIONS

Series for indoor use only. If the external flexible cable or cord of this luminaire is damaged, it shall be exclusively replaced by the manufacturer or his service agent or a similar qualified person in order to avoid a hazard. If you are uncertain, please contact us.

Always shut off power to the circuit before starting installation work. In some countries electrical installation work may only be carried out by an authorised electrical contractor.

Contact your local electricity authority for advice.

Different materials require different types of fittings. Always choose screws and plugs that are especially suited to the material.

## Important information!

Keep these instructions for future use.

## Caution!

The light source of this product is non-changeable light diodes (LED). Do not disassemble the product, as the light diodes can cause damage to the eyes.